

TMP122EVM (EValuation Module)

INSTALLATION

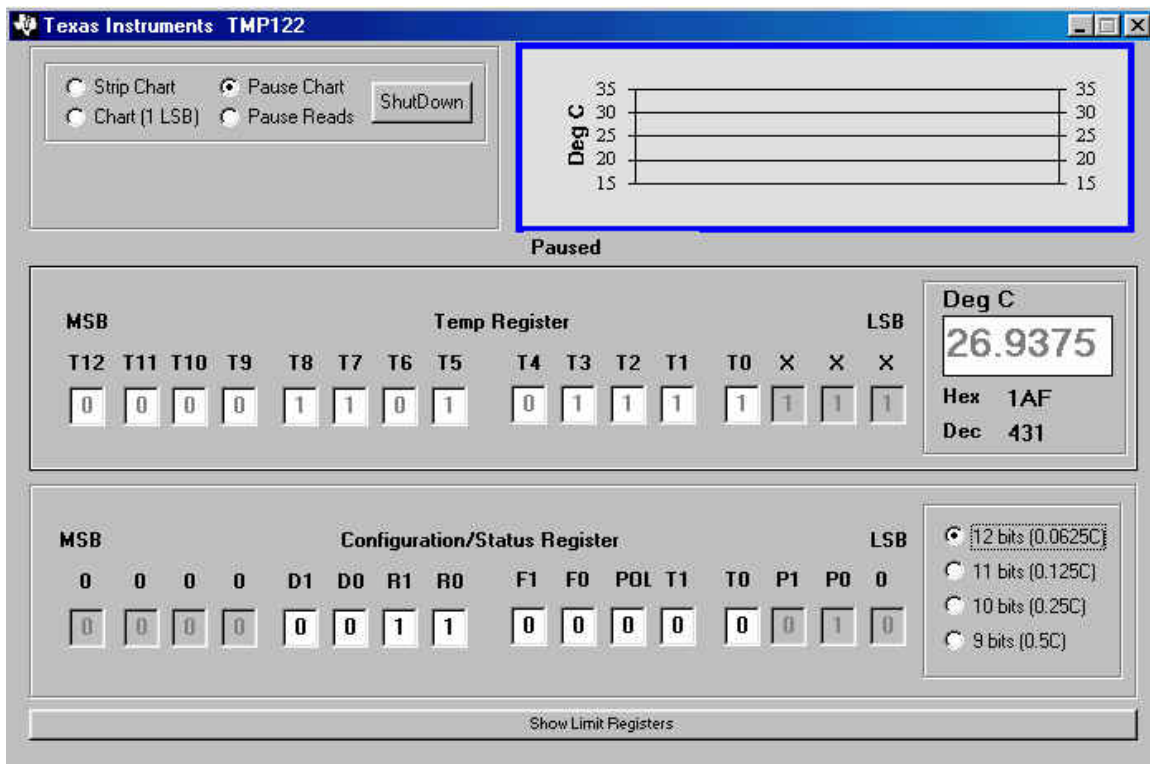
To install the TMP122EVM, simply unpack it and plug it into a 9-pin RS-232 port. You can connect it to an RS-232 cable, as long as the cable carries the proper conductors. Note that this EVM requires the serial port of the PC to supply signals at the +/-12V level. Some PCs have 3.2V serial ports. The EVM will not work with these PCs.

WINDOWS SOFTWARE INSTALLATION

To install the Windows version of the software use Windows Explorer to locate the TMP122 folder on the CD. Double click on the setup.exe and follow the on screen instructions.

SOFTWARE OPERATION

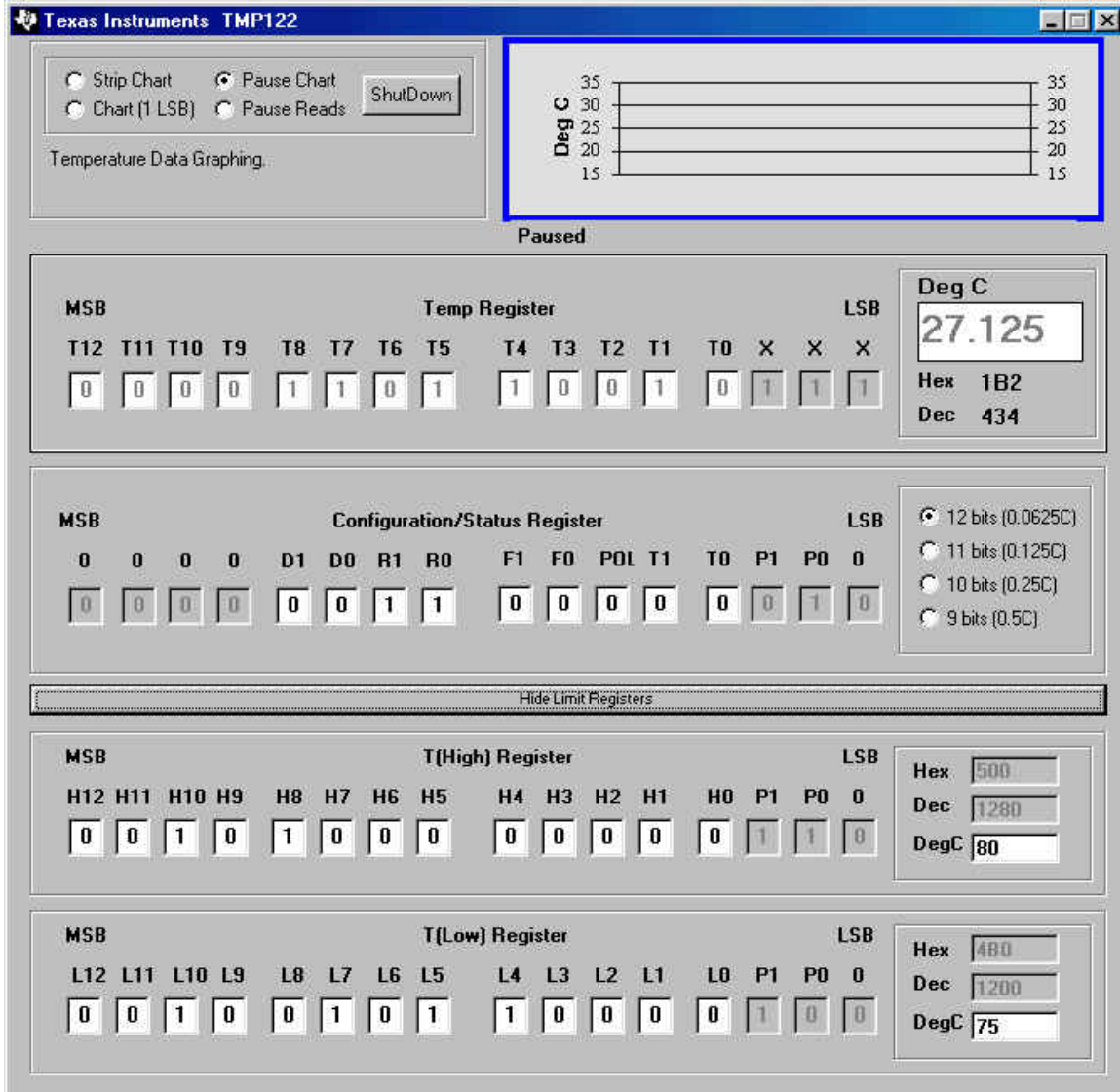
The TMP122 evaluation software functions as a simple digital thermometer. Each feature of the TMP122 can be exercised using the program. When the program is run, it scans the system to see what serial ports are available. If it finds at least one, it searches each serial port for a TMP122EVM, and uses the first one it finds. If the program does not find any TMP122EVMs, it displays a warning message.



This screen has several areas of interest:

- ? Near the top left corner of the window is the area that allows the user to control the plot function.
- ? Below that is the area that displays information based on the cursor location.
- ? The contents of the measured temperature register are displayed next. User can toggle between Celsius or Fahrenheit by simply clicking on (Deg C) or (Deg F) above the actual display
- ? The contents of the configuration register are shown in the last panel. User can change those values by simply typing the appropriate bit values in the appropriate bits and pressing ENTER. If user positions cursor over the label for a certain bit an explanation of that bit function will appear in the information panel above.

- ? User can also (in addition to changing directly configuration register) change the resolution of TMP122 by simply clicking on the appropriate place holder on the right side of the screen.
- ? On the bottom of the screen there is a “Show Limit Registers” bar that, when pressed, will reveal an additional part of the TMP122EVM window.



- ? User can set the Limit values by typing the values in either register directly or in the boxes that are located right of the registers. It is always desirable that value of T(Low) Register to be lower than T(High) Register.

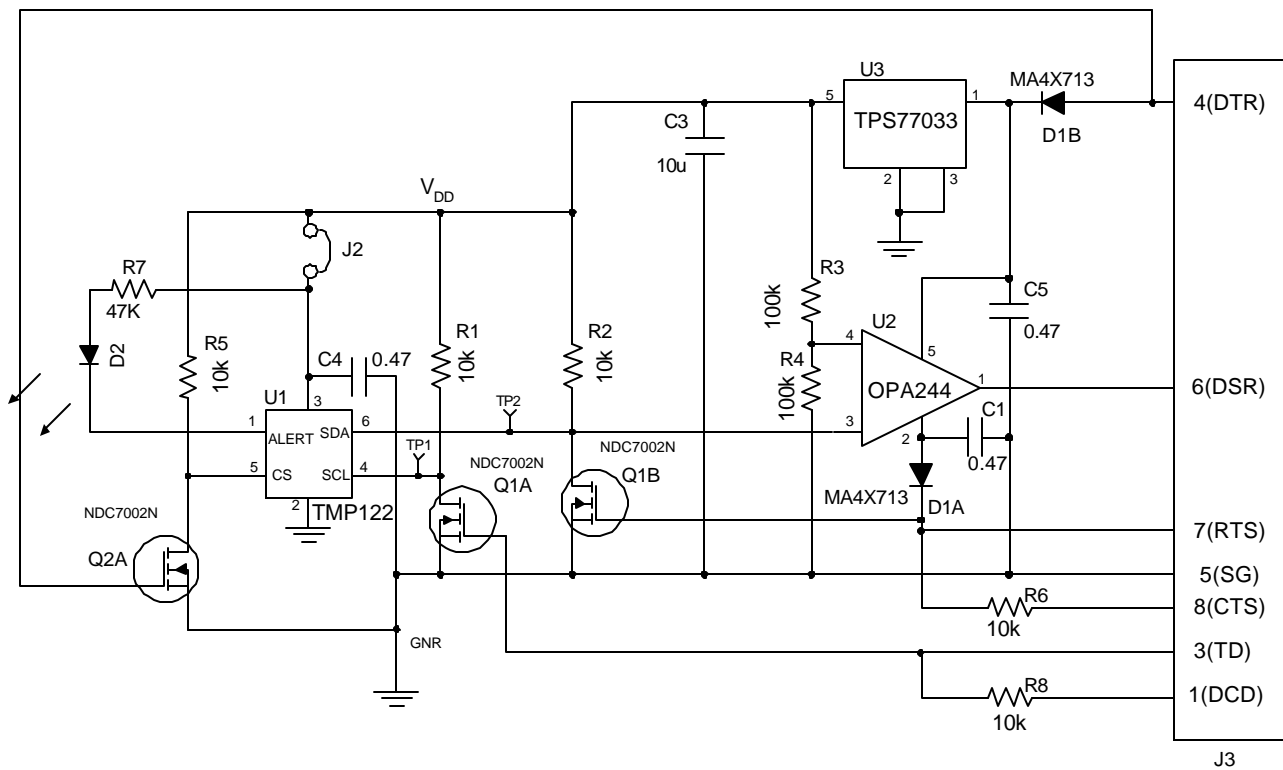
CIRCUIT DESCRIPTION

The TMP122EVM is designed to be as simple as possible. It derives power from the RS-232 port to which it is connected, and interfaces the TMP122's SPI connection to the RS-232 port using a FET pair and an op-amp.

Only three inputs from the computer are available, but this is enough to control the TMP122. One pin, DTR, is used to supply power for the board. When at positive voltage, most systems will generate 10V to 12V, which is enough to drive low-dropout regulator U3 through reverse-voltage protection diode D1B. A regulator with extremely low quiescent current was chosen for this.

To control SCL and SDA, the DSR and transmit-data lines are used. Dual MOSFET Q1 is used to translate the high voltage RS-232 levels into the TMP122's logic levels. The pull-up resistors R1 and R2 are made relatively large so as to consume minimal current in the logic LOW state; since we communicate with the device slowly, the slow rise times caused by these values are of no concern.

SCHEMATICS



IMPORTANT NOTICE

Texas Instruments Incorporated and its subsidiaries (TI) reserve the right to make corrections, modifications, enhancements, improvements, and other changes to its products and services at any time and to discontinue any product or service without notice. Customers should obtain the latest relevant information before placing orders and should verify that such information is current and complete. All products are sold subject to TI's terms and conditions of sale supplied at the time of order acknowledgment.

TI warrants performance of its hardware products to the specifications applicable at the time of sale in accordance with TI's standard warranty. Testing and other quality control techniques are used to the extent TI deems necessary to support this warranty. Except where mandated by government requirements, testing of all parameters of each product is not necessarily performed.

TI assumes no liability for applications assistance or customer product design. Customers are responsible for their products and applications using TI components. To minimize the risks associated with customer products and applications, customers should provide adequate design and operating safeguards.

TI does not warrant or represent that any license, either express or implied, is granted under any TI patent right, copyright, mask work right, or other TI intellectual property right relating to any combination, machine, or process in which TI products or services are used. Information published by TI regarding third-party products or services does not constitute a license from TI to use such products or services or a warranty or endorsement thereof. Use of such information may require a license from a third party under the patents or other intellectual property of the third party, or a license from TI under the patents or other intellectual property of TI.

Reproduction of information in TI data books or data sheets is permissible only if reproduction is without alteration and is accompanied by all associated warranties, conditions, limitations, and notices. Reproduction of this information with alteration is an unfair and deceptive business practice. TI is not responsible or liable for such altered documentation.

Resale of TI products or services with statements different from or beyond the parameters stated by TI for that product or service voids all express and any implied warranties for the associated TI product or service and is an unfair and deceptive business practice. TI is not responsible or liable for any such statements.

Following are URLs where you can obtain information on other Texas Instruments products and application solutions:

Products		Applications	
Amplifiers	amplifier.ti.com	Audio	www.ti.com/audio
Data Converters	dataconverter.ti.com	Automotive	www.ti.com/automotive
DSP	dsp.ti.com	Broadband	www.ti.com/broadband
Interface	interface.ti.com	Digital Control	www.ti.com/digitalcontrol
Logic	logic.ti.com	Military	www.ti.com/military
Power Mgmt	power.ti.com	Optical Networking	www.ti.com/opticalnetwork
Microcontrollers	microcontroller.ti.com	Security	www.ti.com/security
		Telephony	www.ti.com/telephony
		Video & Imaging	www.ti.com/video
		Wireless	www.ti.com/wireless

Mailing Address: Texas Instruments
Post Office Box 655303 Dallas, Texas 75265

Copyright © 2003, Texas Instruments Incorporated